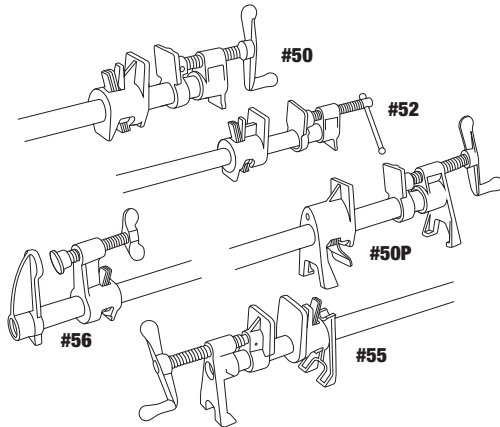


PONY®

The original™ PIPE CLAMP FIXTURE
 SINCE 1903 SERRE À TUYAU
 ABRAZADERA TUBO

AMERICA'S MOST POPULAR,
 MOST WIDELY-USED PIPE CLAMP FIXTURE



PONY | JORGENSEN

Saddle Brook, NJ 07663 USA
 ponyjorgensen.com



Made in China | Fabriqué en Chine | Hecho en China

Rev 01/2024

SPECIFICATIONS

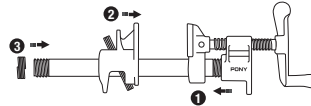
Product No.	Description	Throat Depth	Nominal Clamping Force	Max. Load Limit	Pipe Used
50	Classic Pipe Clamp Fixture	1-11/16"(42mm)	1200 lb.	2800 lb.	3/4"-14 NPT Pipe
50P	High Stance Pipe Clamp Fixture	1-11/16"(42mm)	1200 lb.	2800 lb.	3/4"-14 NPT Pipe
52	Pipe Clamp Fixture	1-1/2"(38mm)	1000 lb.	2800 lb.	1/2"-14 NPT Pipe
55	Professional Pipe Clamp Fixture	2-1/8"(54mm)	1200 lb.	2300 lb.	3/4"-14 NPT Pipe
56	Deep-Reach Pipe Clamp Fixture	2-1/2"(63.5mm)	1200 lb.	2200 lb.	3/4"-14 NPT Pipe

Bar: (not furnished) 1/2" or 3/4" standard, or extra-heavy, black pipe to any desired length, threaded both ends. Cut your pipe 7" longer than desired clamping length.

1/2" black pipe maximum outer diameter 0.840" (21.34mm)

3/4" black pipe maximum outer diameter 1.050" (26.67mm)

TO ASSEMBLE

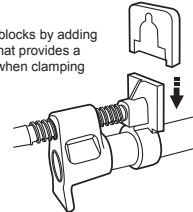


1. Screw the head assembly on the threads at one end of pipe (no tools required).
2. Slide tail-stop onto the other end.
3. Add coil spring stop.

ALSO AVAILABLE

Pony Pipe Clamp Pads

Our clamp pads eliminate the need for wood blocks by adding soft, durable plastic padding to your clamps that provides a resilient nonstick, nonslip protective cushion when clamping wood, metal, and plastic surfaces.



Product No.	Fits
7456	#50, #50P
7452	#52
7455	#55

MAINTENANCE AND USE

Apply oil on screw and clutch-discs to ease operation and preserve product life. If slipping or wearing occurs, clutch-discs can be removed, reversed and reinserted into the casting, but are also replaceable. Releasing screw pressure, then applying pressure to the clutch extensions from top or bottom, releases the grip on the pipe.